

13447

~~CONFIDENTIAL~~

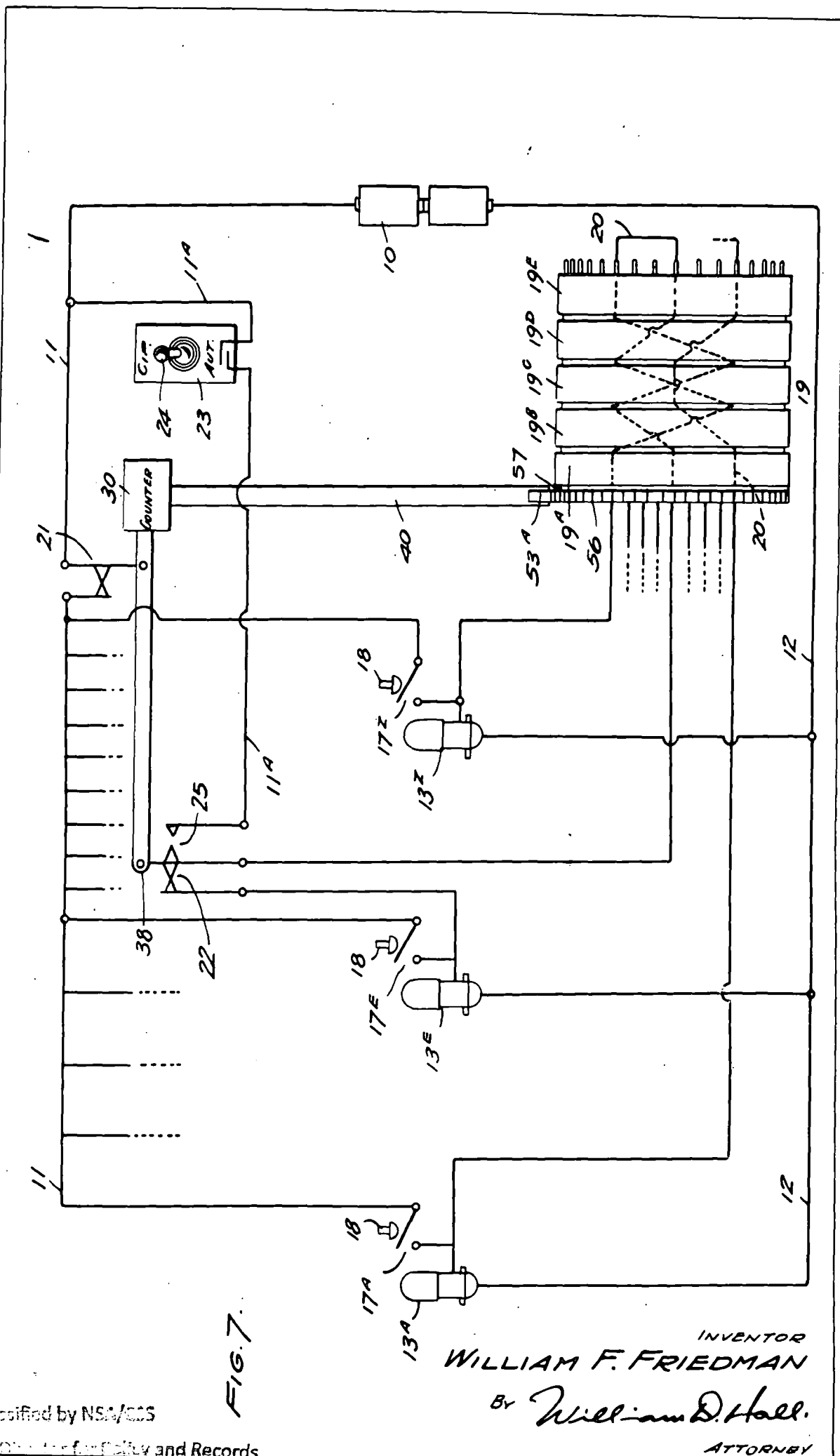


FIG. 7.

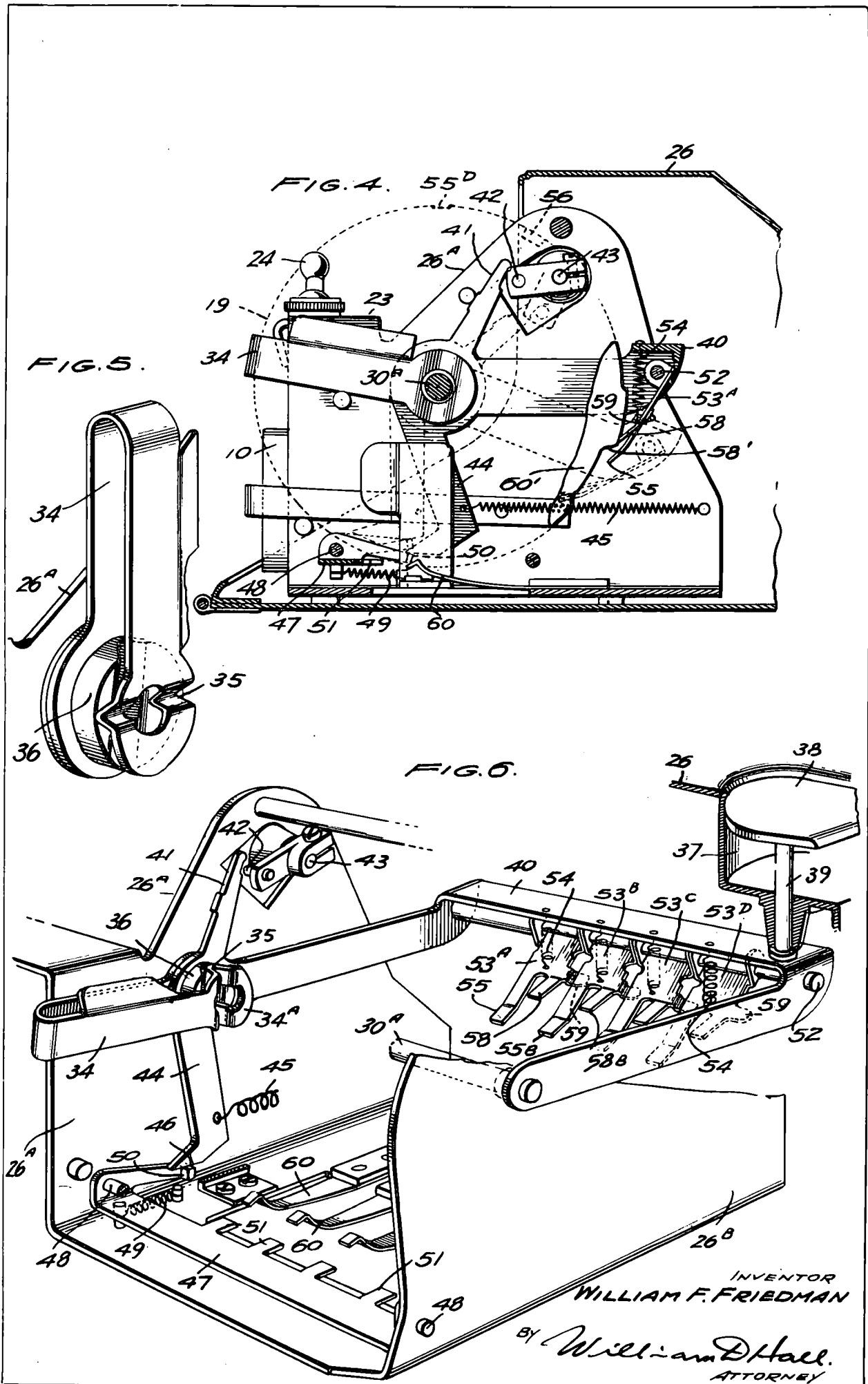
INVENTOR
 WILLIAM F. FRIEDMAN
 BY *William D. Hall.*
 ATTORNEY

Declassified by NSA/CSS
 Deputy Director for Policy and Records

On 20140519 by BF

~~CONFIDENTIAL~~

Declassified and approved for release
 by NSA on 12-19-2014 pursuant to E.O.
 13526



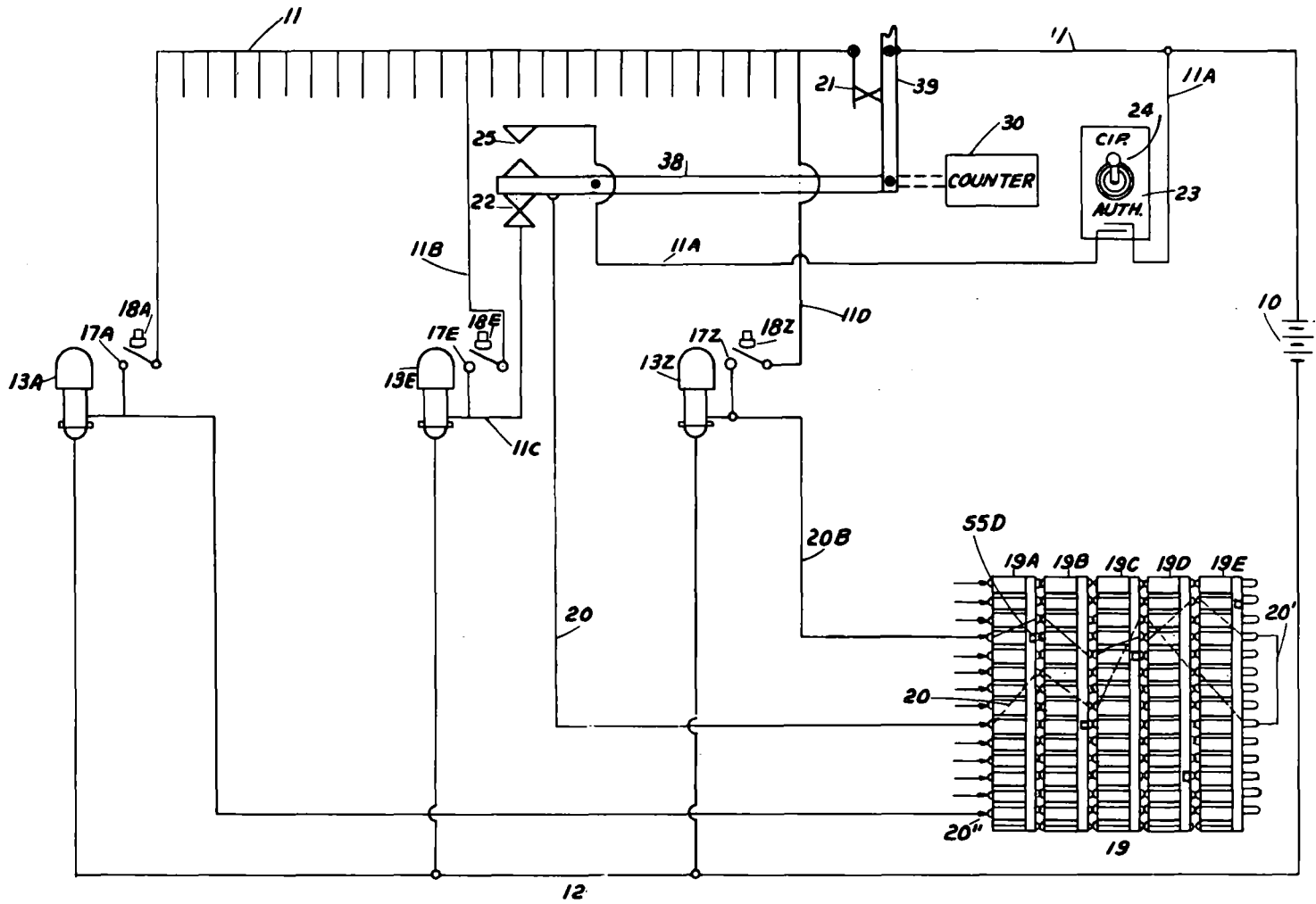
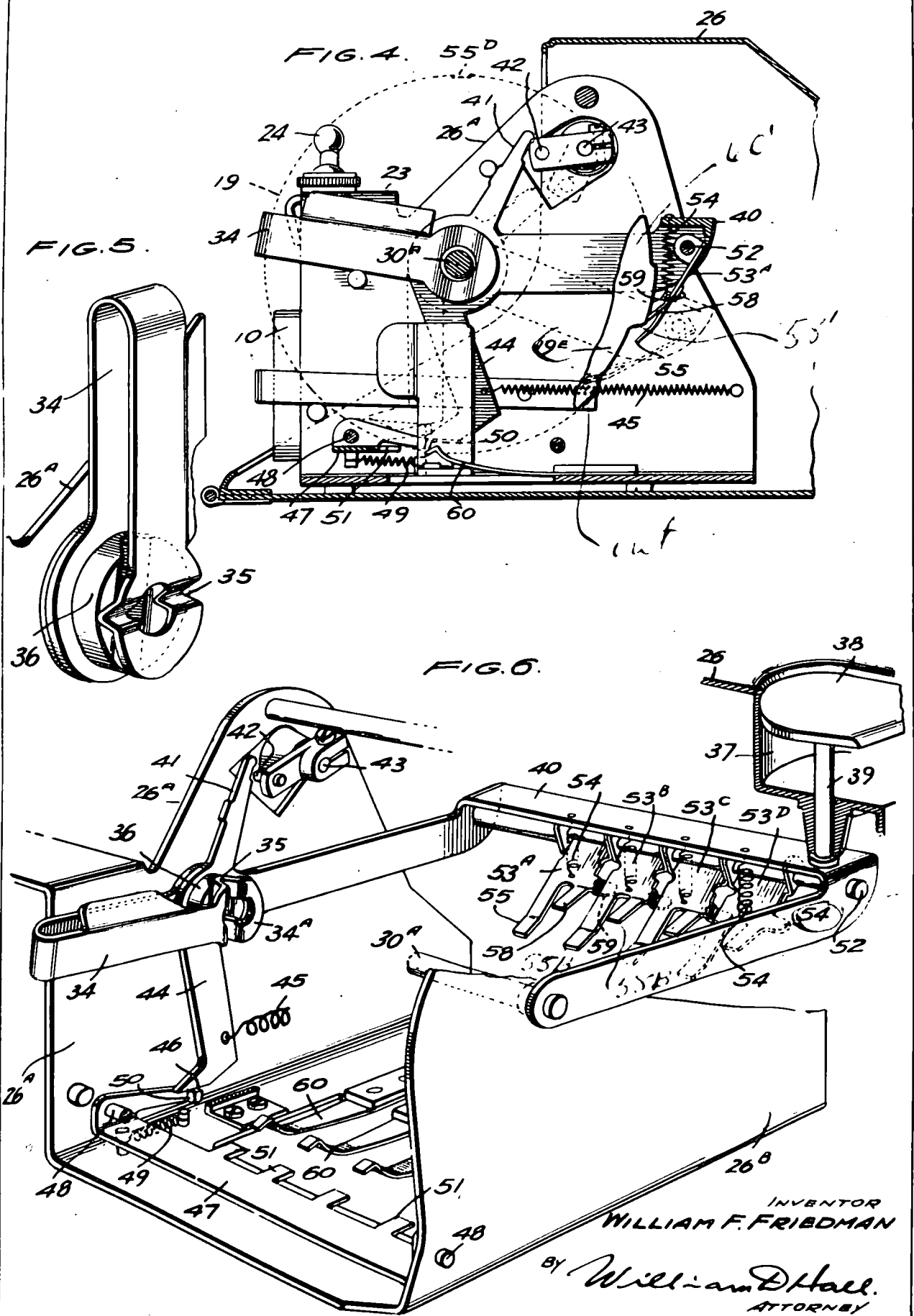


FIGURE 7

WILLIAM F. FRIEDMAN
INVENTOR
William F. Friedman
ATTORNEY



Declassified by NSA/CSS

Deputy Associate Director for Policy and Records

On 20140519 by BF

~~CONFIDENTIAL~~

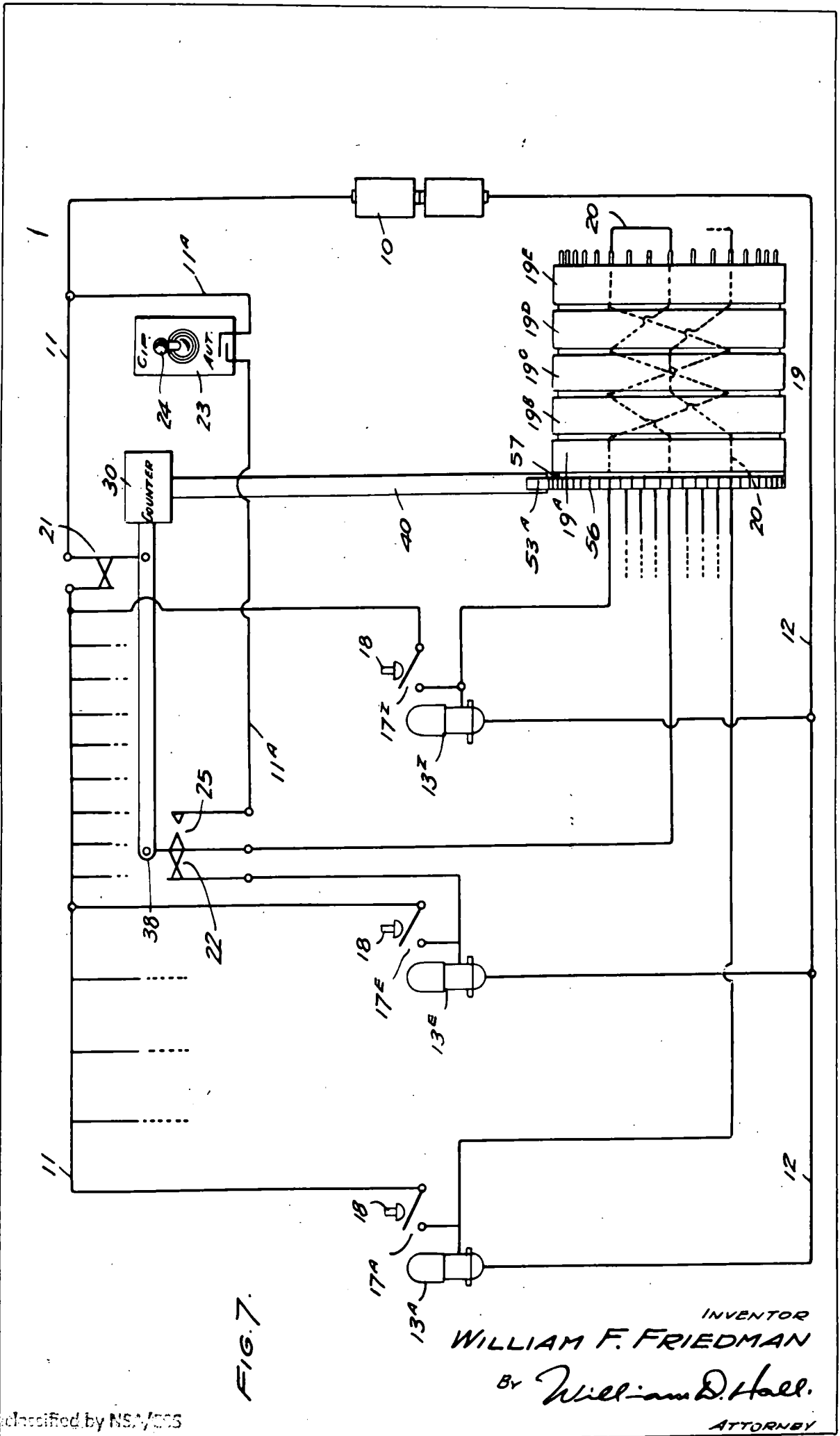


FIG. 7.

INVENTOR
 WILLIAM F. FRIEDMAN
 BY *William D. Hall.*
 ATTORNEY

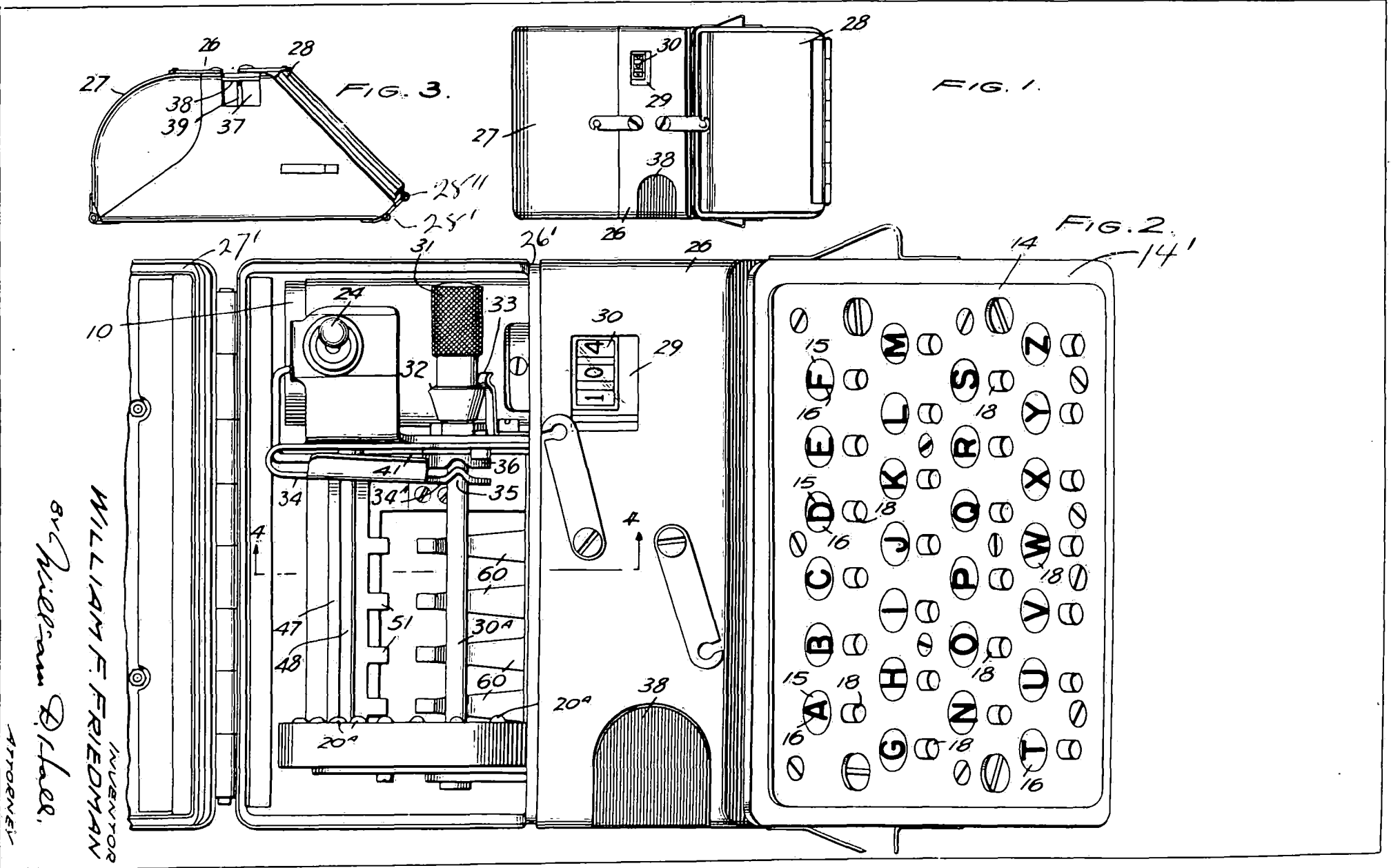
Declassified by NSA/CSS

Deputy Associate Director for Policy and Records

On 20140519 by BF

~~CONFIDENTIAL~~

~~CONFIDENTIAL~~



WILLIAM F. FRIEDMAN
 INVENTOR
 BY *William D. Laker,*
 ATTORNEY

~~CONFIDENTIAL~~

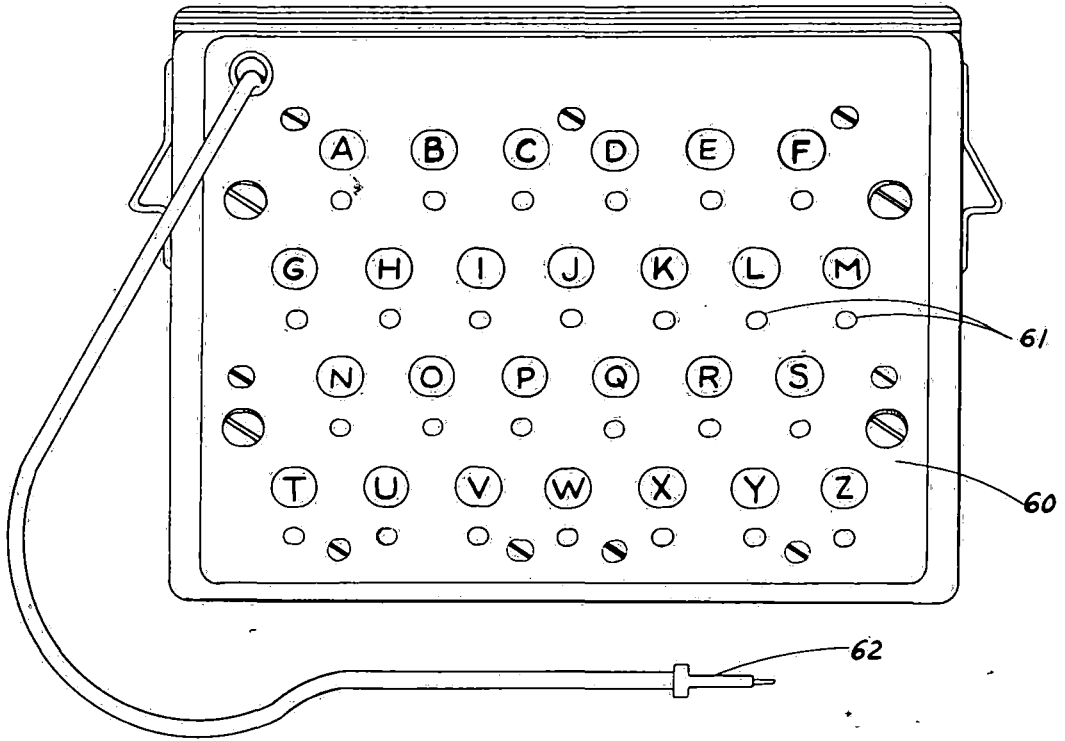


FIGURE 8

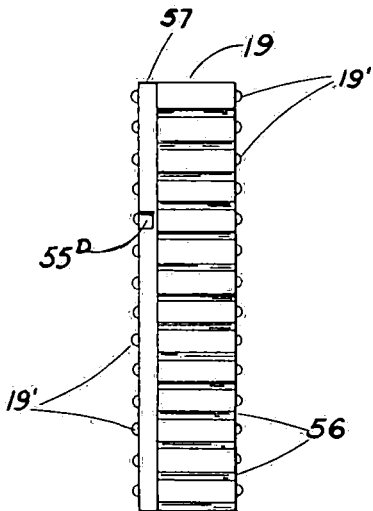


FIGURE 9

WILLIAM F. FRIEDMAN

INVENTOR

ATTORNEY